

Tubing Deployed Isolation Plug

APPLICATIONS

- Zone isolation

BENEFITS

- Shear indication from the washpipe provides a positive locating indication.
- Simple design releases mechanically by applying force from above.

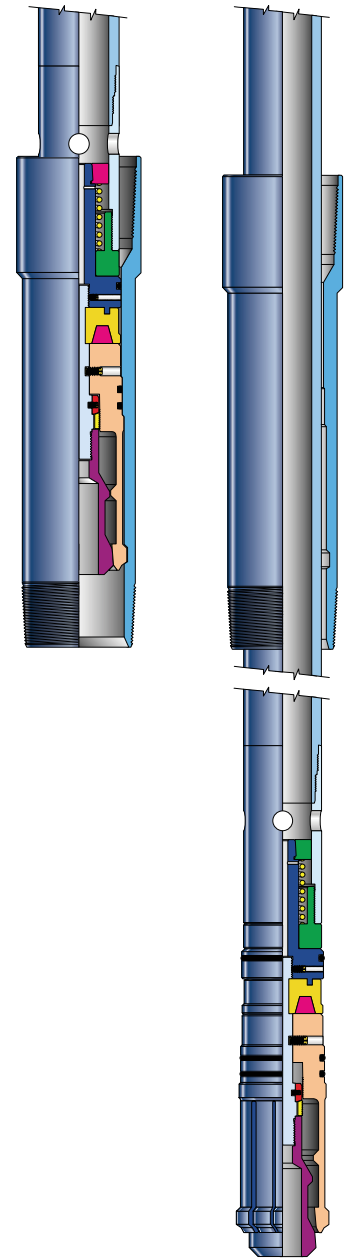
FEATURES

- Differentially rated to 5,000 psi [345 bar] from below

The tubing-deployed isolation plug (TDIP) is a reliable mechanical fluid loss prevention device that is used to completely isolate a specific interval. This mechanical-set plug is run on the end of a washpipe assembly, pulled into a bore with a profile and left there. Once the plug is released, it can be pushed to the bottom of the section.

It can be used in high differential pressure situations where the flapper valve rates are exceeded. The plug is capable of being run in screen sizes of 2 $\frac{7}{8}$ in. [73 mm] and larger.

The standard plug is manufactured from AISI 4140 low-alloy steel but is also available in 13 Cr stainless steel.



Tubing deployed isolation plug