

AOP B Series Floating Ball Valves

Delivering dependability at an affordable price into upstream, general purpose valve applications

TECHNOLOGY



AOP™ Series BUL Floating Ball Valves

FEATURES AND BENEFITS

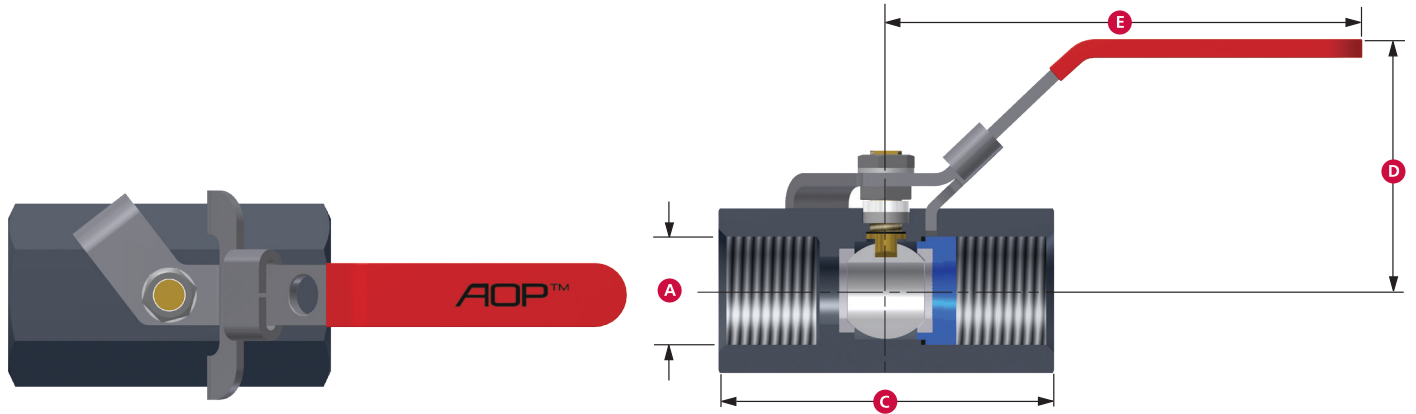
- One-piece carbon steel reduced-port screwed-end ball valve
- 316 stainless steel ball and stem
- Positively retained stem
- 2000 psi, WOG 1/4" to 2" (8 mm to 50 mm)
- 150-psi saturated steam
- Conforms to NACE MR0175/ISO 15156 specifications
- Locking handle



Materials List

Part	Material
Handle Grip	Vinyl
Handle	SS 201
Handle Nut	304 SS
Gland	304 SS
Packing	PTFE
Stem	316 SS
Thrust Washer	PTFE
Seat Retainer	A105
Seat	RTFE
Gasket	PTFE
Ball	316 SS
Body	A105
Spring Washer	304 SS
Stop Capscrew	A2-70
Capscrew	SS 201

ONE-PIECE CARBON STEEL REDUCED-PORT SCREWED-END BALL VALVE

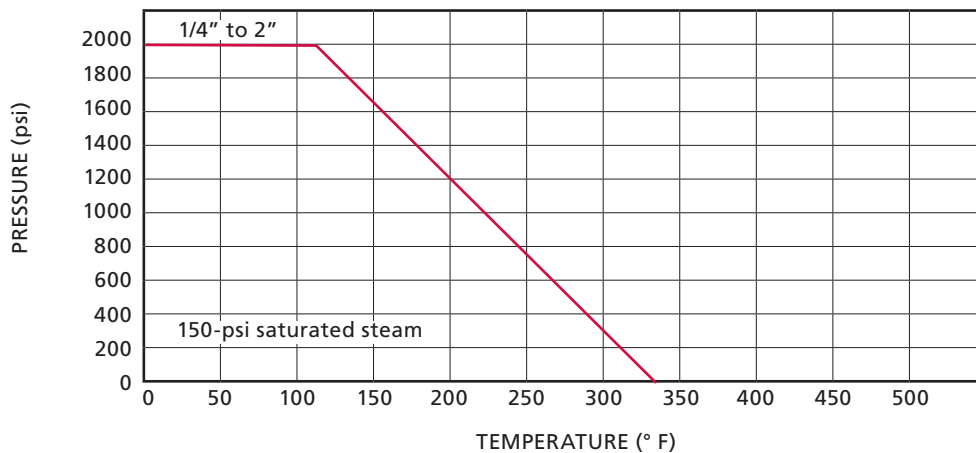


Dimensions

Size in.	Size (mm)	A	C	D	E	C _v
1/4	(8)	0.20 (5)	1.70 (43)	1.25 (32)	2.63 (67)	1.5
3/8	(10)	0.28 (7)	1.86 (47)	1.33 (34)	2.63 (67)	3.5
1/2	(15)	0.36 (9)	2.46 (63)	2.18 (55)	4.65 (118)	4.5
3/4	(20)	0.49 (12)	2.75 (70)	2.32 (59)	4.65 (118)	8
1	(25)	0.63 (16)	3.38 (86)	2.57 (65)	4.72 (120)	15
1-1/4	(32)	0.79 (20)	3.69 (94)	2.90 (74)	5.75 (146)	33
1-1/2	(40)	0.95 (24)	4.00 (102)	3.10 (79)	5.75 (146)	40
2	(50)	1.26 (32)	4.50 (114)	4.70 (119)	6.00 (152)	70

Size	1/4"	3/8"	1/2"	3/4"	1"	1-1/4"	1-1/2"	2"
Max. Working Pressure	2000							
Weight - lb	0.08	0.18	0.55	0.88	1.90	2.97	3.74	6.31
Assembly No.	9025-121NBUL	9038-121NBUL	9050-121NBUL	9075-121NBUL	9100-121NBUL	9125-121NBUL	9150-121NBUL	9200-121NBUL

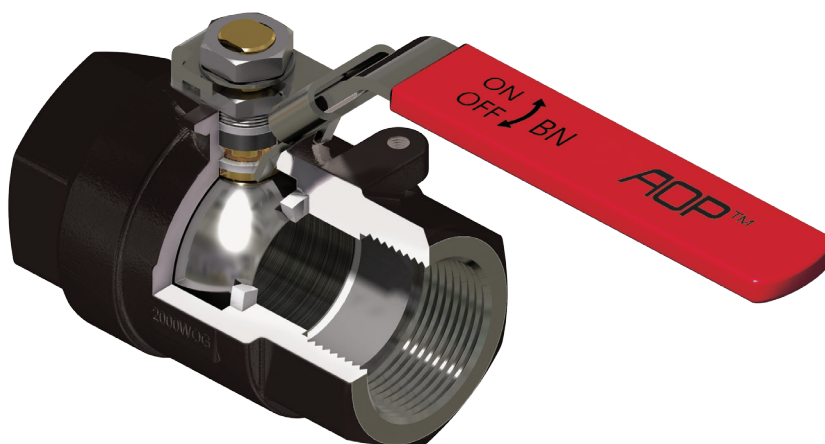
Engineering Specifications



AOP Series BN Floating Ball Valves

FEATURES AND BENEFITS

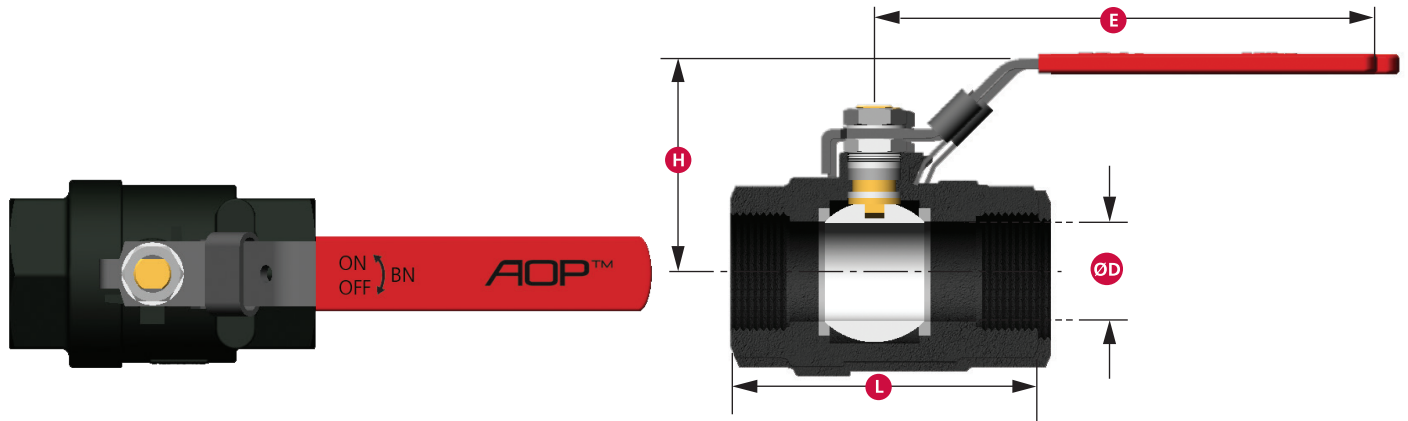
- Large-port screwed ends
- Two-piece carbon steel body
- 316 stainless steel ball and stem
- Positively retained stem
- Adjustable packing gland
- Locking lever handle
- 2000 psi, WOG 1/4" to 2" (8 mm to 50 mm)
- 150-psi saturated steam
- Fire-tested in accordance with API 607
- Conforms to NACE MR0175/
ISO 15156 specifications



Materials List

Part	Material
Handle Grip	Vinyl
Handle	SS 201
Locking Device	Plated CS
Handle Nut	Plated CS
Packing Gland	304 SS
Stem	316 SS
Packing	Graphite
Thrust Washer	RTFE
Seat	RTFE
Ball	316 SS
Tailpiece	A216 WCB
Body	A216 WCB
Body Seal	PTFE

WCB BODY FULL-PORT SCREWED-END BALL VALVE

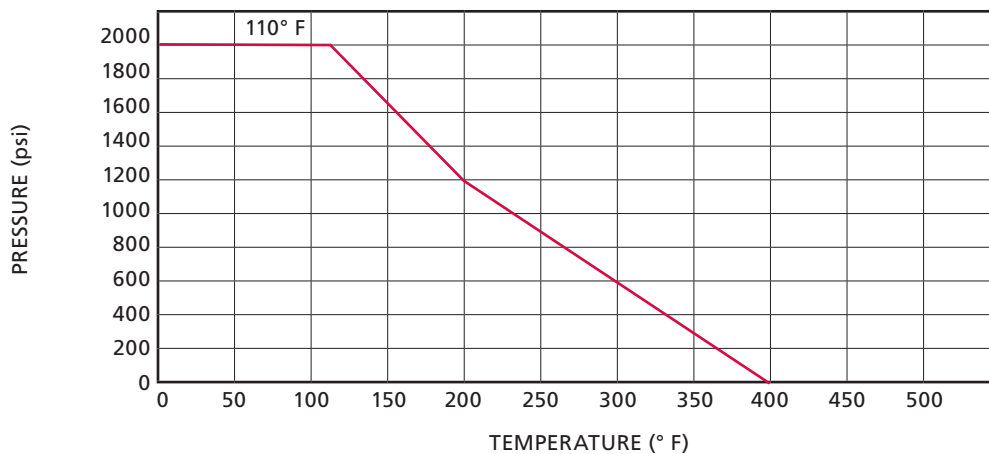


Dimensions

Size in.	Size (mm)	ØD	L	E	H
1/4	(8)	0.42 (11)	2.36 (60)	3.93 (100)	1.89 (48)
3/8	(10)	0.49 (12)	2.36 (60)	3.93 (100)	1.89 (48)
1/2	(15)	0.59 (15)	2.95 (75)	4.33 (110)	2.28 (58)
3/4	(20)	0.78 (20)	3.15 (80)	4.72 (120)	2.36 (60)
1	(25)	0.98 (25)	3.54 (90)	5.90 (150)	3.03 (77)
1-1/4	(32)	1.26 (32)	4.33 (110)	5.90 (150)	3.11 (79)
1-1/2	(40)	1.50 (38)	4.72 (120)	7.08 (180)	3.62 (92)
2	(50)	1.97 (50)	5.51 (140)	7.08 (180)	4.13 (105)

Size	1/4"	3/8"	1/2"	3/4"	1"	1-1/4"	1-1/2"	2"
Max. Working Pressure	2000							
Weight – lb	0.7	0.6	1.05	1.55	2.6	4.4	6.35	9.7
Assembly No.	9025-122NBN	9038-122NBN	9050-122NBN	9075-122NBN	9100-122NBN	9125-122NBN	9150-122NBN	9200-122NBN

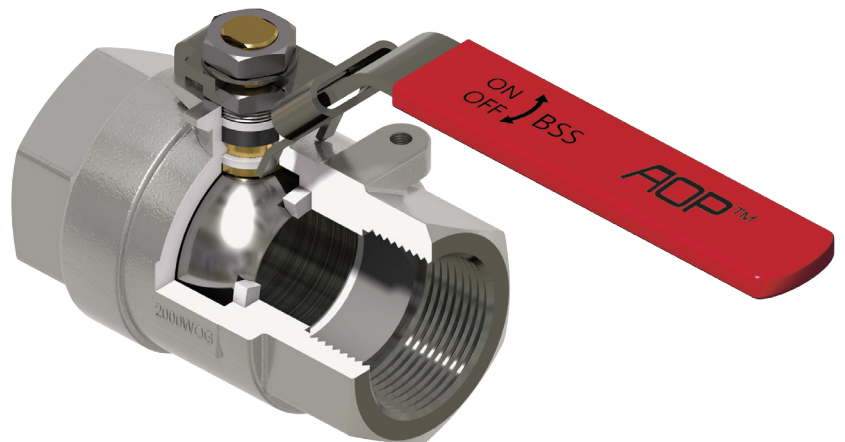
Engineering Specifications



AOP Series BSS Floating Ball Valves

FEATURES AND BENEFITS

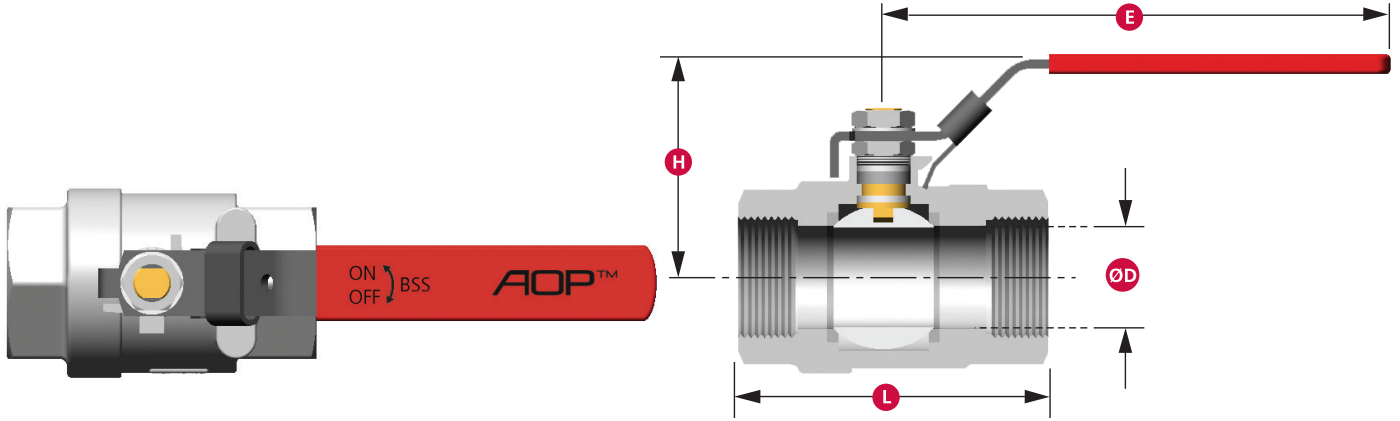
- Seal-welded CF8M body full-port screwed ends
- 316 stainless steel ball and stem
- Positively retained stem/floating ball
- Adjustable packing
- Locking lever handle
- 2000 psi, WOG 1/4" to 2" (8 mm to 50 mm)
- 150-psi saturated steam
- Fire-tested in accordance with API 607
- Conforms to NACE MR0175/ISO 15156 specifications



Materials List

Part	Material
Handle Grip	Vinyl
Handle	SS 201
Locking Device	304 SS
Handle Nut	304 SS
Stem Washer	304 SS
Packing Gland	304 SS
Stem	316 SS
Packing	Graphite
Thrust Washer	RTFE
Seat	RTFE
Ball	A276 316 SS
Tailpiece	CF8M
Body	CF8M
Body Seal	Welded Seal

SEAL-WELDED CF8M BODY FULL-PORT SCREWED-END BALL VALVE

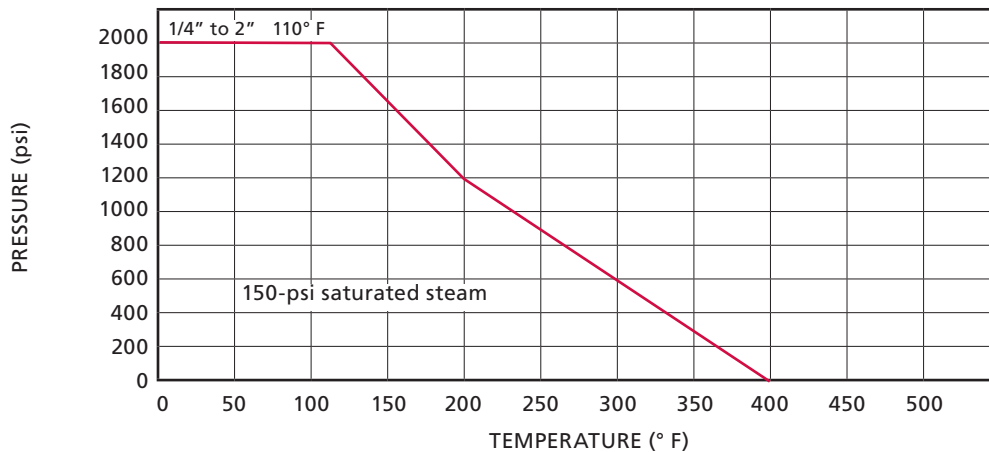


Dimensions

Size in.	Size (mm)	ØD	L	E	H
1/4	(8)	0.42 (11)	2.36 (60)	3.93 (100)	1.89 (48)
3/8	(10)	0.49 (12)	2.36 (60)	3.93 (100)	1.89 (48)
1/2	(15)	0.59 (15)	2.95 (75)	4.33 (110)	2.28 (58)
3/4	(20)	0.78 (20)	3.15 (80)	4.72 (120)	2.36 (60)
1	(25)	0.98 (25)	3.54 (90)	5.90 (150)	3.03 (77)
1-1/4	(32)	1.26 (32)	4.33 (110)	5.90 (150)	3.11 (79)
1-1/2	(40)	1.50 (38)	4.72 (120)	7.08 (180)	3.62 (92)
2	(50)	1.97 (50)	5.51 (140)	7.08 (180)	4.13 (105)

Size	1/4"	3/8"	1/2"	3/4"	1"	1-1/4"	1-1/2"	2"
Max. Working Pressure	2000							
Weight – lb	0.7	0.6	1.05	1.55	2.6	4.4	6.35	9.7
Assembly No.	9025-222NBSS	9038-222NBSS	9050-222NBSS	9075-222NBSS	9100-222NBSS	9125-222NBSS	9150-222NBSS	9200-222NBSS

Engineering Specifications



AOP Series B3 Floating Ball Valves

FEATURES AND BENEFITS

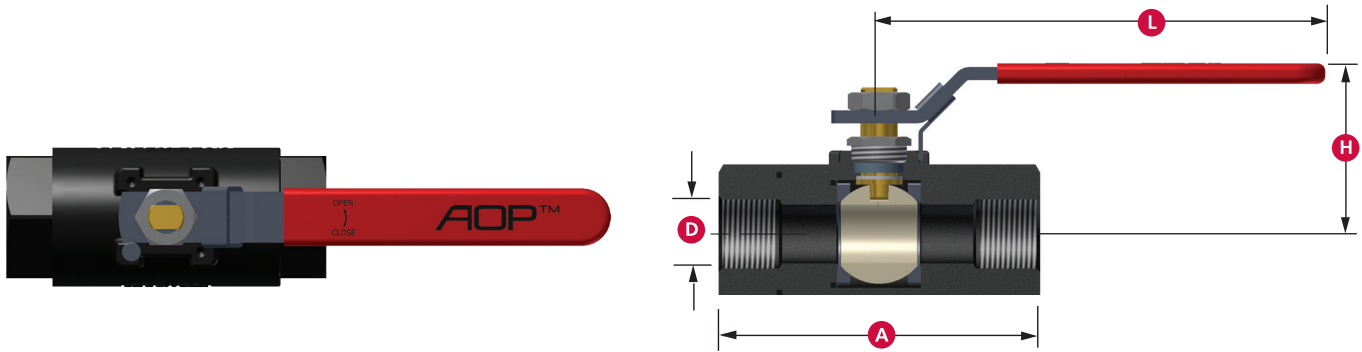
- Positively retained stem
- Adjustable packing
- 316 stainless steel ball and stem
- Standard locking handle
- Actuator mounting pad
- Delrin® seats standard
- 3000 psi, sizes 1/4" to 2" (8 mm to 50 mm) full port
- Ball includes pressure equalization hole to prevent trapped pressure in body cavity (in open position only)
- Fire-tested in accordance with API 607
- Conforms to NACE MR0175/ISO 15156 specifications



Materials List

Part	Material
Body	WCB CS/CF8M SS
Seat	Delrin®
Body O-ring	Viton®
Body Gasket	Graphite
Adapter	WCB CS/CF8M SS
Ball	316 SS
Stem Thrust Washer	Delrin
Stem Packing	Graphite
Packing Gland	304 SS
Stem	316 SS
Stem Nut	A2-70
Handle	SS 201 (1/4" to 1") CS (1-1/4" to 2")
Locking Device	SS 201 (1/4" to 1") CS (1-1/4" to 2")
Handle Grip	PVC
Stop Capscrew	A2-70
Capscrew	SS 201

TWO-PIECE WCB AND CF8M BODY SCREWED-END BALL VALVE

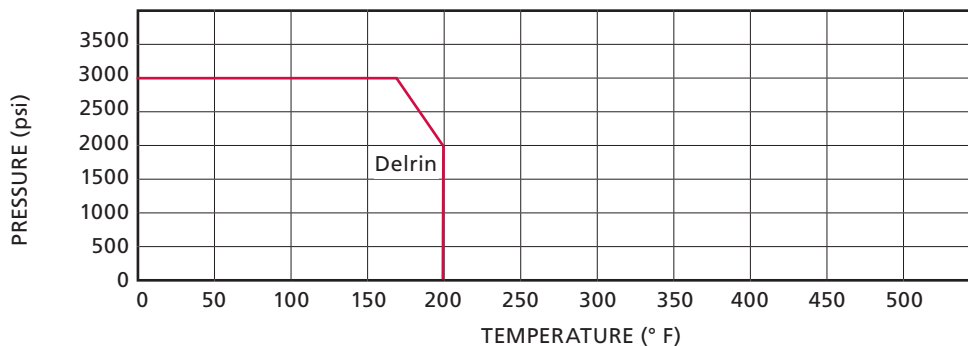


Dimensions

Size in.	Size (mm)	D Port Size F x F	A End-to-End F x F	L Length of Lever	H Center to Lever	C _v
1/4	(8)	0.39 (10)	3.86 (98)	5.71 (145)	2.32 (59)	8
3/8	(10)	0.39 (10)	3.86 (98)	5.71 (145)	2.32 (59)	8
1/2	(15)	0.50 (13)	3.86 (98)	5.71 (145)	2.32 (59)	15
3/4	(20)	0.75 (19)	4.25 (108)	7.48 (190)	2.61 (66)	30
1	(25)	0.98 (25)	5.39 (137)	7.48 (190)	2.85 (72)	60
1-1/4	(32)	1.25 (32)	5.39 (137)	8.66 (220)	3.85 (98)	90
1-1/2	(40)	1.50 (38)	6.30 (160)	10.04 (255)	5.16 (131)	130
2	(50)	1.89 (48)	6.30 (160)	16.14 (410)	5.42 (138)	290

Size	1/4"	3/8"	1/2"	3/4"	1"	1-1/4"	1-1/2"	2"
Max. Working Pressure	3000 CWP							
Weight - lb	1.9	1.9	1.95	3.54	5.21	7.90	11.81	15.93
Assembly No. CS/SS	83025-1217219B3	83038-1217219B3	83050-1217219B3	83075-1217219B3	83100-1217219B3	83125-1217219B3	83150-1217219B3	83200-1217219B3
Assembly No. SS/SS	83025-2217219B3	83038-2217219B3	83050-2217219B3	83075-2217219B3	83100-2217219B3	83125-2217219B3	83150-2217219B3	83200-2217219B3

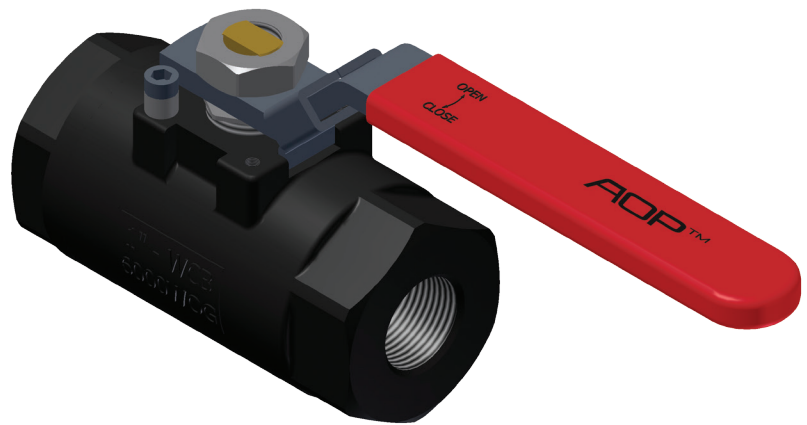
Engineering Specifications



AOP Series B6 Floating Ball Valves

FEATURES AND BENEFITS

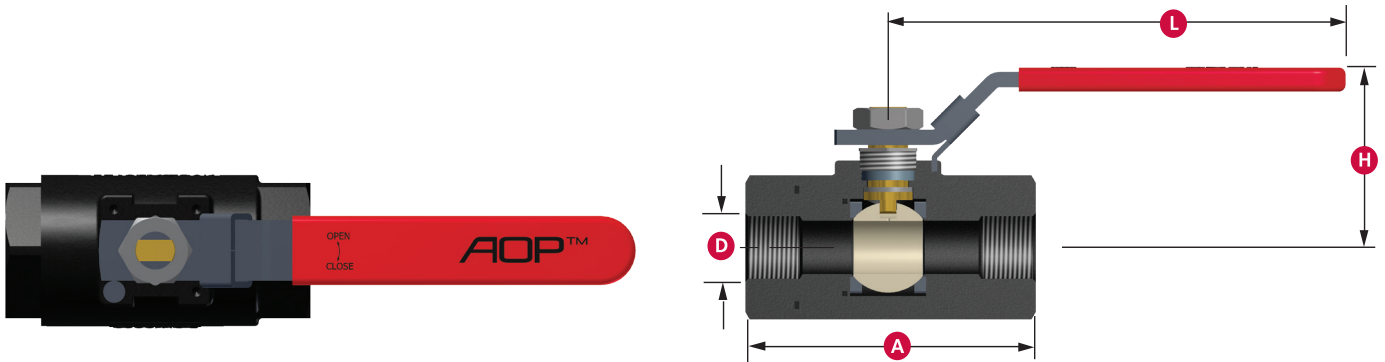
- Positively retained stem
- Adjustable packing
- 316 stainless steel ball and stem
- Standard locking handle
- Actuator mounting pad
- PEEK seats standard
- 6000 psi, sizes 1/4" to 1-1/2" (8 mm to 40 mm) full port
- 6000 psi, size 2" (50 mm) reduced port
- Fire-tested in accordance with API 607
- Conforms to NACE MR0175/ISO 15156 specifications



Materials List

Part	Material
Body	WCB CS/CF8M SS
Seat	PEEK
Body O-ring	Viton
Body Gasket	Graphite
Adapter	WCB CS/CF8M SS
Ball	316 SS
Stem Thrust Washer	PEEK
Stem Packing	Graphite
Packing Gland	304 SS
Stem	316 SS
Stem Nut	A2-70
Handle	SS 201 (1/4" to 1") CS (1-1/4" to 2")
Locking Device	SS 201 (1/4" to 1") CS (1-1/4" to 2")
Handle Grip	PVC
Stop Capscrew	A2-70
Capscrew	SS 201

TWO-PIECE WCB AND CF8M BODY SCREWED-END BALL VALVE

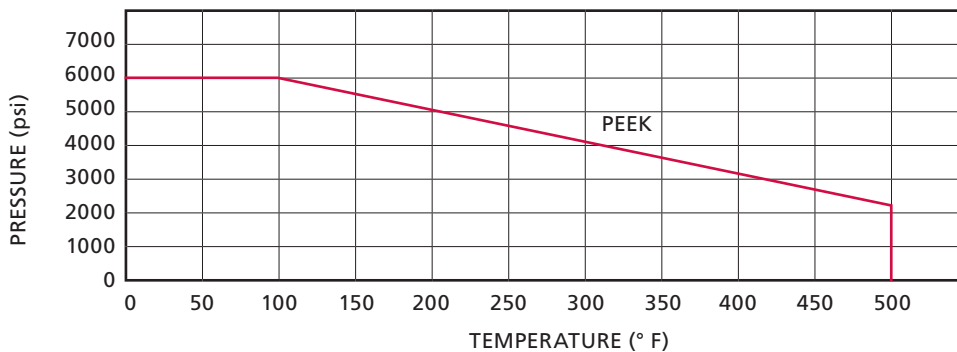


Dimensions

Size in.	Size (mm)	D Port Size F x F	A End-to-End F x F	L Length of Lever	H Center to Lever	C _v
1/4	(8)	0.39 (10)	4.37 (111)	5.71 (145)	2.44 (62)	8
3/8	(10)	0.39 (10)	4.37 (111)	5.71 (145)	2.44 (62)	8
1/2	(15)	0.50 (13)	4.37 (111)	5.71 (145)	2.44 (62)	15
3/4	(20)	0.75 (19)	4.37 (111)	7.48 (190)	2.72 (69)	30
1	(25)	0.98 (25)	5.39 (137)	10.04 (255)	3.58 (91)	60
1-1/4	(32)	1.26 (32)	5.39 (137)	10.04 (255)	3.74 (95)	90
1-1/2	(40)	1.50 (38)	6.30 (160)	16.14 (410)	5.24 (133)	130
2	(50)	1.50 (38)	6.30 (160)	16.14 (410)	5.34 (136)	120

Size	1/4"	3/8"	1/2"	3/4"	1"	1-1/4"	1-1/2"	2"
Max. Working Pressure	6000 CWP							
Weight – lb	2.20	2.20	2.20	4.43	8.12	14.25	19.93	20.28
Assembly No. CS/SS	86025-1215219B6	86038-1215219B6	86050-1215219B6	86075-1215219B6	86100-1215219B6	86125-1215219B6	86150-1215219B6	86200-1215219B6
Assembly No. SS/SS	86025-2215219B6	86038-2215219B6	86050-2215219B6	86075-2215219B6	86100-2215219B6	86125-2215219B6	86150-2215219B6	86200-2215219B6

Engineering Specifications



3250 Briarpark Drive, Suite 300
Houston, TX 77042
USA
Toll Free 1 800 323 9160

Learn more about AOP floating ball valves at:
www.c-a-m.com/AOP
AOP@c-a-m.com



HSE Policy Statement

At Cameron, we are committed ethically, financially and personally to a working environment where no one gets hurt and nothing gets harmed.